

Innovation!

Stainless Steel Immersion Pumps ES



Centrifugal pumps made of welded stainless steel

High strength and good resistance to chemicals at a very low weight.

Technical data

- Delivery rate
 $Q_{\max} = 70 \text{ l/min}$
- Delivery head
 $H_{\max} = 6 \text{ m}$
- Temperature range
to $+80 \text{ }^{\circ}\text{C}$

Product features

- Centrifugal pump, 1-stage
- Sealless
- Open impeller
- Port dimensions to DIN EN 12157
- Immersion depths: 170, 220, 270 mm
- Various drive options:
standard motor to DIN EN 60034,
also available in 'increased safety' type of enclosure (EExe)
or 'flameproof enclosure' (EExd);
pneumatic motor



Stainless Steel Immersion Pumps ES



Main applications

- Printing machines
- Surface coating/impregnation
- Medical equipment
- Erosion systems
- Electroplating baths
- Washing/degreasing installations
- Foodstuffs industry (peripheral conveyance tasks)
- etc.

Liquids

- Printing ink, with solvents
- Water-based paints
- Lacquers
- Water, also de-ionized
- Emulsions
- Oils
- Cleaning liquids
- etc.

Viscosities: up to 160 mm²/s
(higher ones on request)

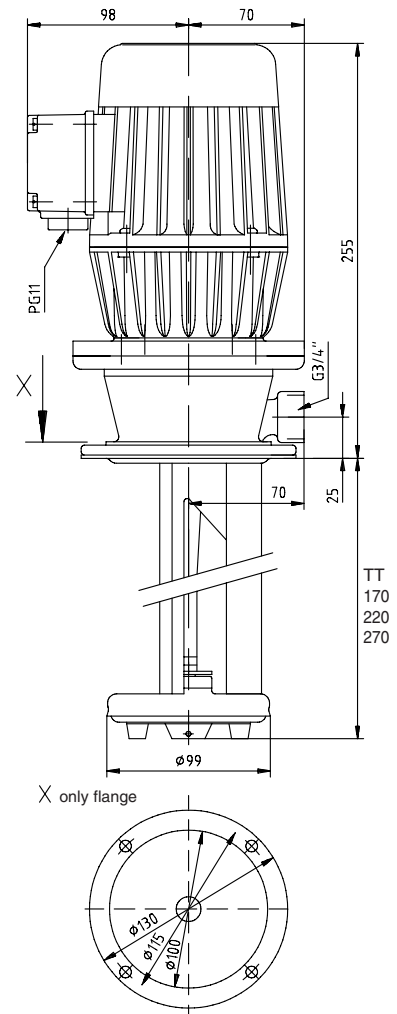
Temperatures: up to +80 °C

Ambient temperature: max. 40 °C
(other on request)

Product advantages

Our new product, an immersion pump made of stainless, deep-drawn, welded sheet steel, has a number of advantages over cast pumps.

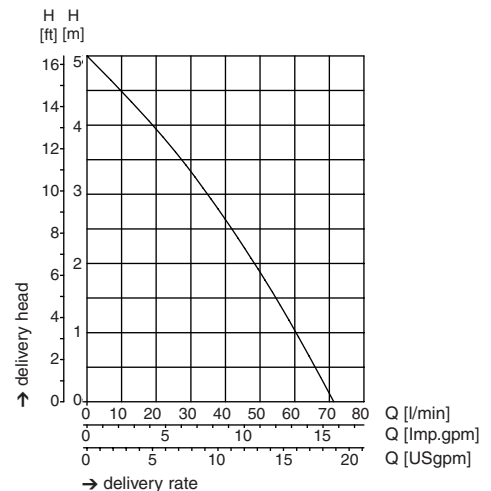
- All pump components of stainless steel 1.4301; shaft of stainless steel 1.4122.
- Good price/performance ratio.
- Easy to handle due to low weight (approx. 10 kg).
- Fast and thorough cleaning due to smooth surfaces. Sticking of fluids and bacteria is minimized.
- Flexibility due to various types of drives.
- Dependability, even with highly viscous liquids, due to special pump hydraulics.



Electrical Data				
Rated frequency	Rated voltage Δ / Y	Rated current Δ / Y	Rated power	Rated speed
[Hz]	[V]	[A]	[kW]	[rpm]
50	230 / 400	1.72 / 1.0	0.37	2667

Type of enclosure: IP 54
Insulation class: F.B
CE sign

Parameters 50 Hz



Data are for liquids with a viscosity of 1 mm²/s and a density of 1 kg/dm³

Spandau stainless steel pumps:
Corrosion-proof – chemicals-resistant – light – quiet – easy to clean